

General Description

The GX3440 is an MMIC limiter amplifier for use in 40-Gb/s optical communications systems. Signals at levels as low as 50 mVpp differential can be amplified up to 0.7Vpp differentially. The design allows for DC offset control, output voltage control and output DC level monitoring.

Features

- 800 mVpp typical differential output voltage
- DC offset control
- Power monitoring
- Input/output AC coupled

Applications

- 45Gbps DPSK receiver
- DQPSK balanced receiver with 22Gbps per arm
- 45Gbps test & measurement

Ordering Information

Part	Temp Range	Pin-Package
GX3440-DNU	0°C to +85°C	Die
GX3440-DNU-TF	N/A	Test Fixture

For price, delivery schedules, and to place orders, please contact GigPeak: sales@gigpeak.com

Device Diagram

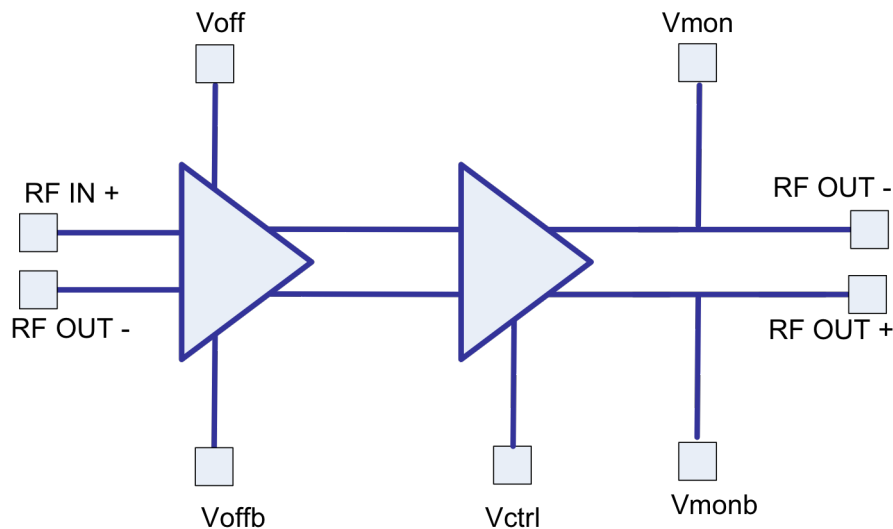


Figure 1: Device diagram